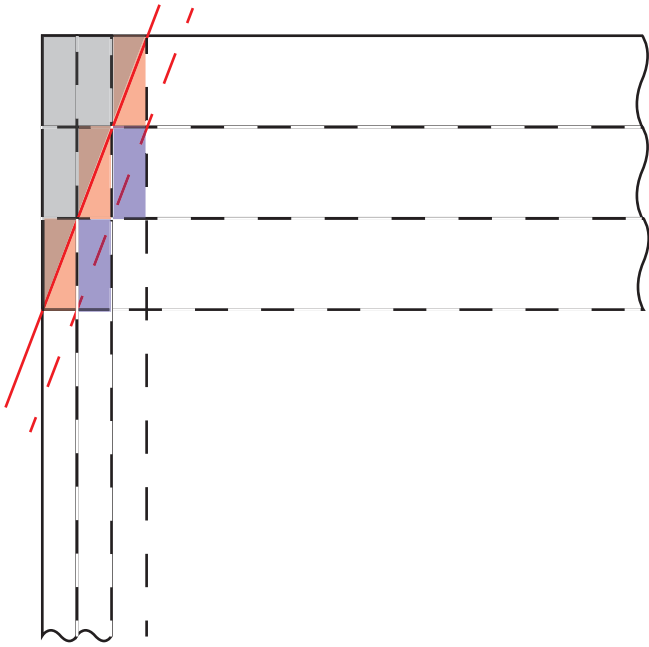


CORNERING THE ELUSIVE PURIFICATOR

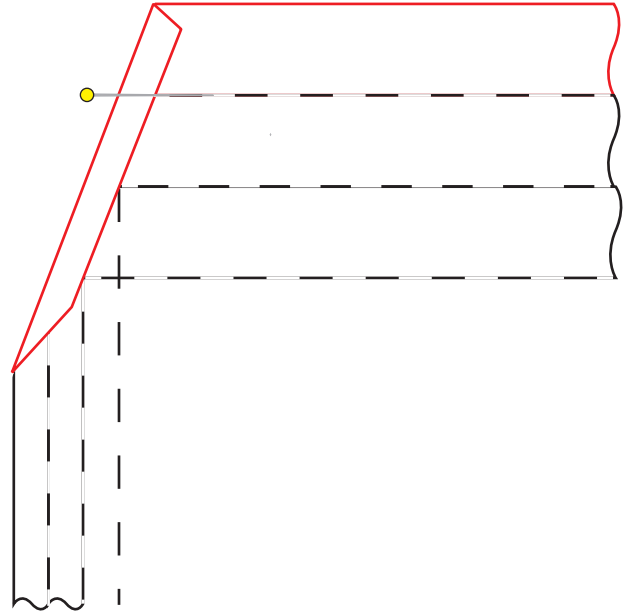
STEP 1

Score lines - 1/4", 1/2" and 3/4" on the long sides, 3/4", 1 1/2" and 2 1/4" on the short sides. The third score lines help establish the fold lines for the mitered corners - you won't actually fold the hem along this line. If you have particularly soft linen it may help to give the corners a shot of starch to make the fold lines crisper and easier to see. Trim away the gray section. The trim line goes precisely through the corners of the pink rectangles. Also score a fold line parallel to the cut edge that goes through the corners of the purple rectangles.



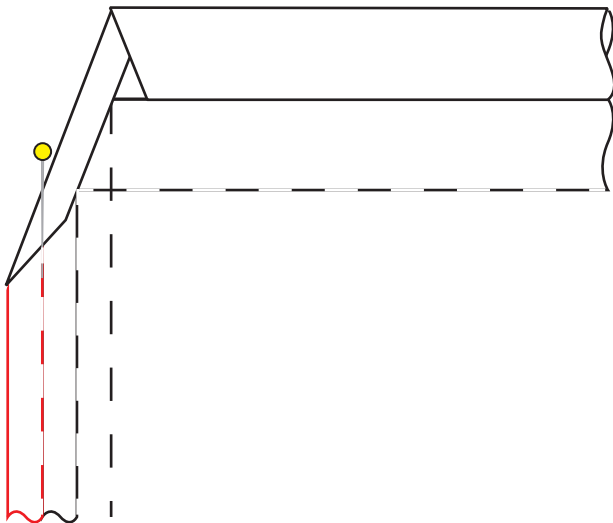
STEP 2

Fold in the diagonal trimmed edge along the newly scored parallel line. Then, using a straight pin to help hold the linen in place (not pinning it, just laying it along the fold line and applying pressure to keep the linen from bunching up or folding funny) fold the top edge down.



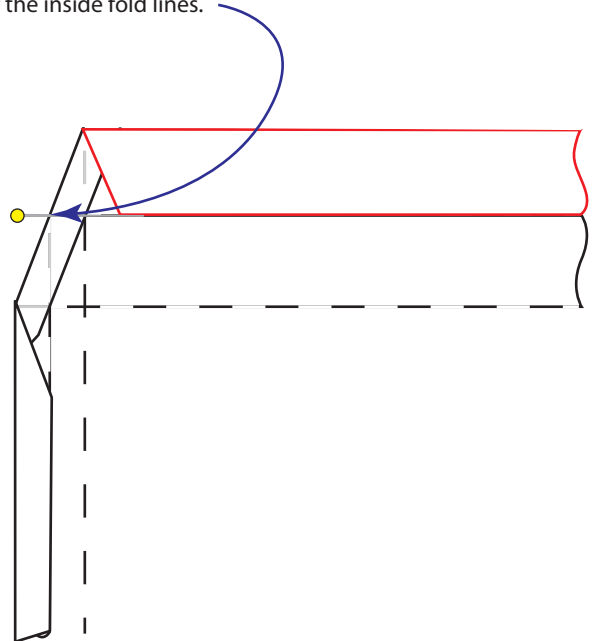
STEP 3

In the same way use a straight pin to hold the linen in place as you fold in the left side



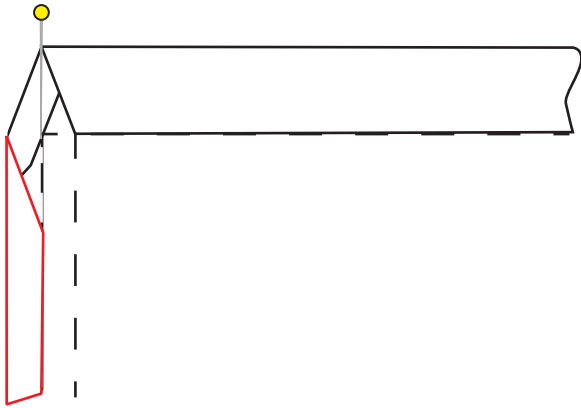
STEP 4

Next, using a pin hold the linen fold in place and fold down the top of the Purificator. This fold should precisely line up with the corner of the inside fold lines.



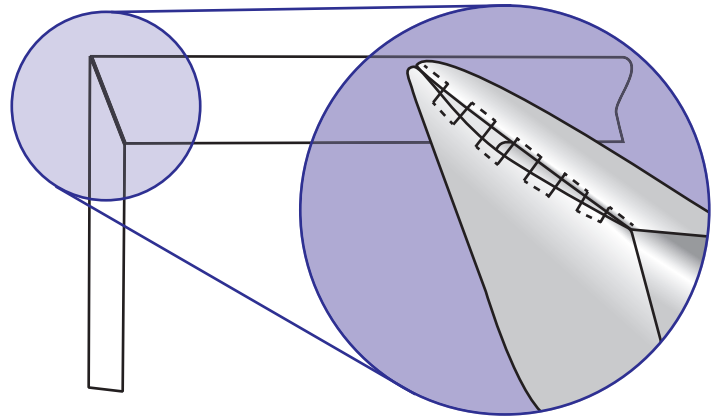
STEP 5

Again, using a pin hold the linen fold in place and fold over the right edge of the purificator. This fold should bring the two sides of the miter together.



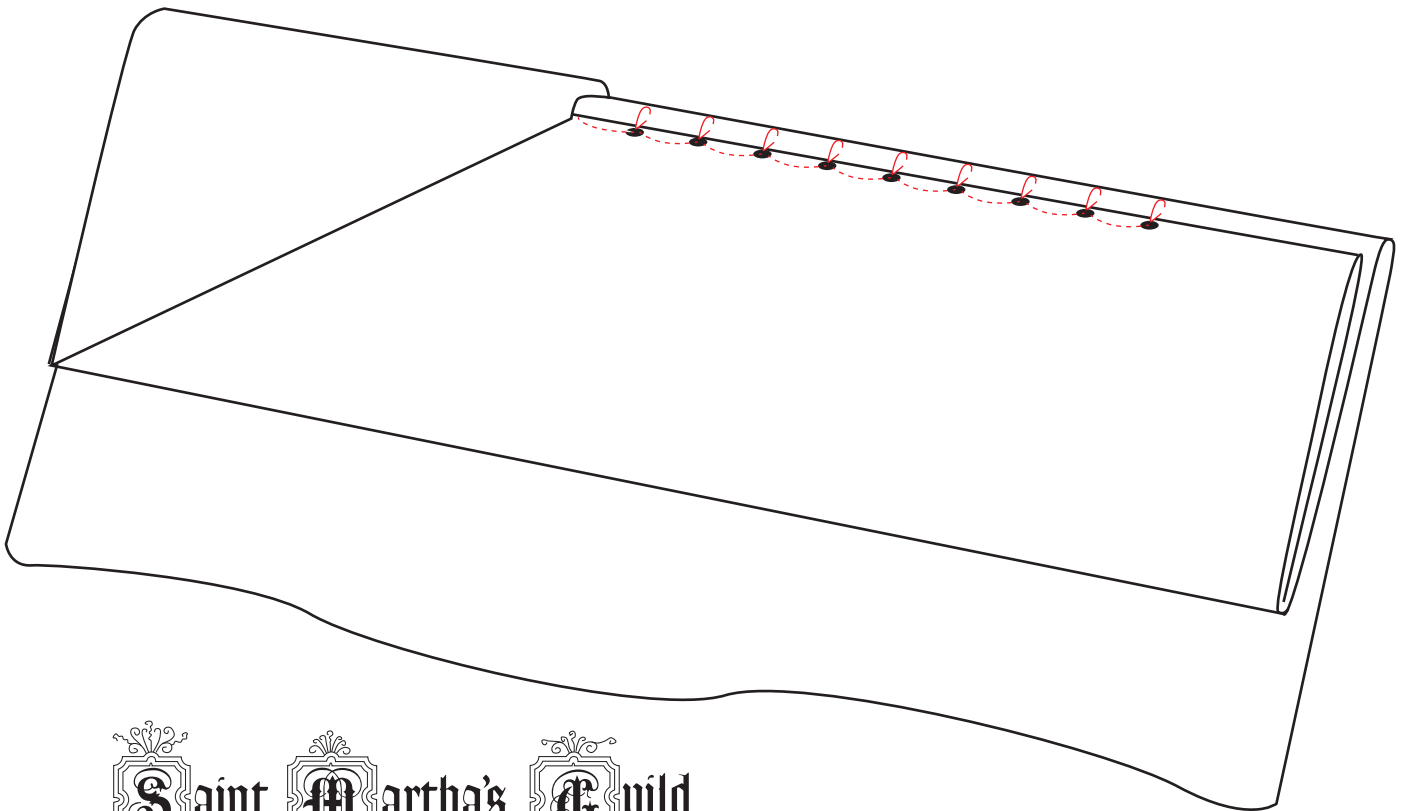
STEP 6

Repeat this on all four corners and stitch the miter together. I like to fold the miter back on itself to line up the two edges across from each other and stitch through the folds as indicated. The extra layer of folded linen will add a little bulk underneath. Just sew over the top of it pulling the edges together as you go. You will not sew this to the front side, so you would be able to slip your finger underneath.



STEP 7

'Convent stitch' the hem by folding it backward on itself exposing the top of the folded hem and the edge of the rest of the purificator. Sew carefully across the two 'mountain tops' that are formed by holding the fabric this way. The hem is created crisply and sewn across the top from fold to fold, just nipping two threads of the front side and going back into the same hole on the hem side. If everything is carefully folded for this part you will not get a wavy hem width and very little of your thread/stitching will show on either side. Because we have repaired many purificators with stitches that had given out, we recommend double thread, well waxed. No knots to create bumps please.



Restoring the Art of Liturgical Needlecrafts

saintmarthasguild.com